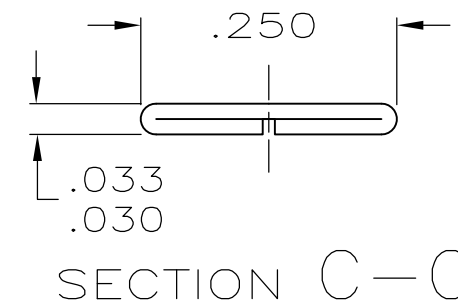
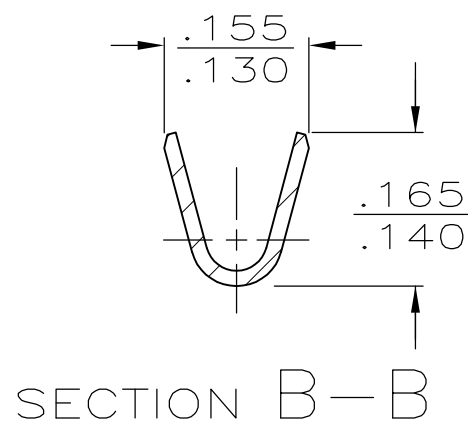
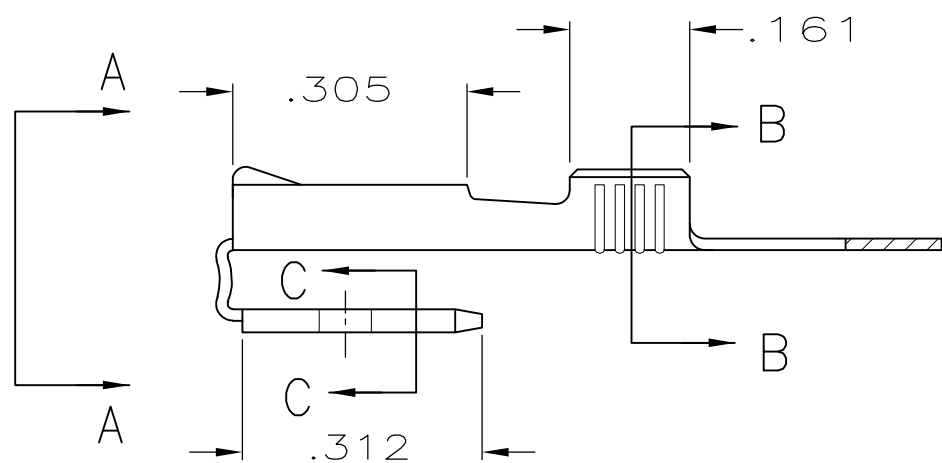
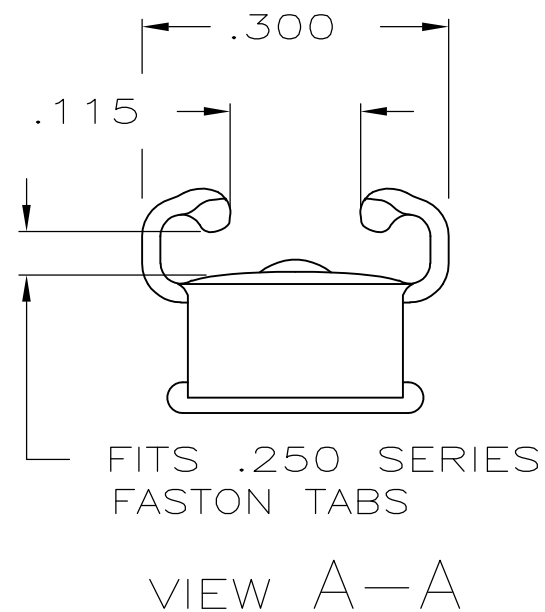
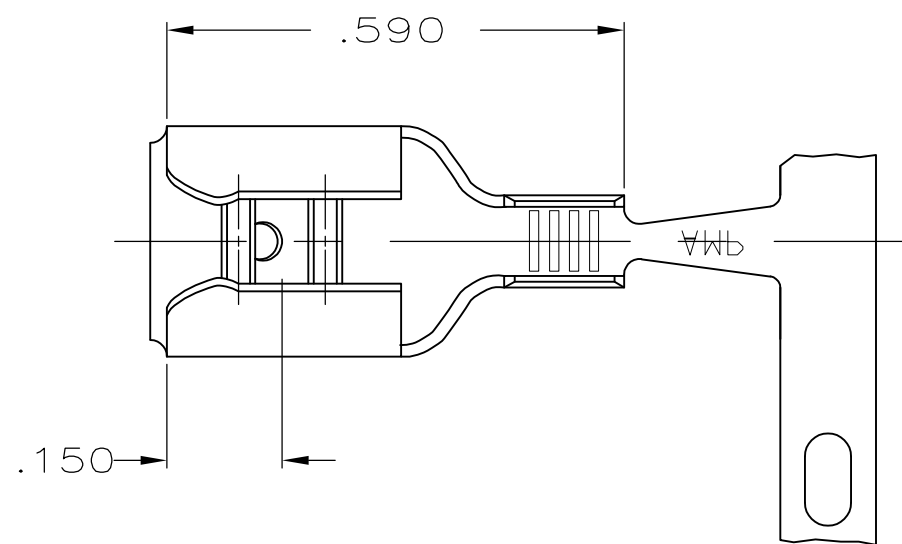


THIS DRAWING IS UNPUBLISHED. RELEASED FOR PUBLICATION
 © COPYRIGHT - BY TYCO ELECTRONICS CORPORATION. ALL RIGHTS RESERVED.

LOC	DIST	REVISIONS			
P	LTR	DESCRIPTION	DATE	DWN	APVD
AF	50	F1	REVISED PER ECR-07-018043	09AUG07	HMR PD

1 CONTINUOUS STRIP ON REELS.



THIS DRAWING IS A CONTROLLED DOCUMENT.		DWN	JR RUTH	5/28/86	18-14	.032 ±.001	62276-1
DIMENSIONS: INCHES		CHK	G YETTER	5/28/86	WIRE SIZE	TAB THK.	PART NO
TOLERANCES UNLESS OTHERWISE SPECIFIED:		APVD	C MEYERS	5/28/86	Tyco Electronics Corporation Harrisburg, PA 17105-3608		
0 PLC ± -		PRODUCT SPEC	NAME				
1 PLC ± -		APPLICATION SPEC	.250 SERIES FASTON PIGGY-BACK RECEPTACLE				
2 PLC ± -		114-2082	SIZE	CAGE CODE	DRAWING NO	RESTRICTED TO	
3 PLC ± .015		WEIGHT	A3	00779	C-62276	-	
4 PLC ± -		MATERIAL		CUSTOMER DRAWING		SCALE	SHEET
ANGLES ± -		.0150 BRASS		PRE-TIN		4:1	1 OF 1
FINISH		PRE-TIN		REV		F1	